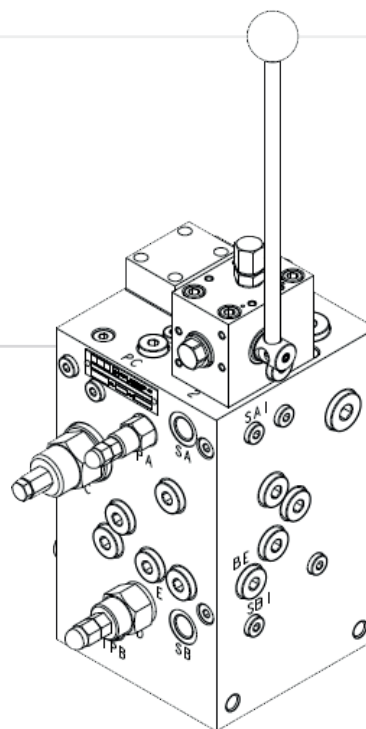


MODULAR WINCH UNITS

8MBA for flow 70-220 lpm

Winch solution for fixed pumps

- Pipe mounted model
- Compact design
- By-pass compensator system for load independent control of hydraulic motor
- Load control valve of spool design
- Actuations
 - Manual
 - Hydraulic remote
 - Combination of those above
- Options for
 - Brake release valve
 - Remote operated pressure relief A - T/B for tension control
- Up to 2 NG6 flanges for operation of external functions
- Prepared to be fitted directly on hydraulic motor by use of an intermediate adapter plate



DESCRIPTION	DATA	
Flow ranges	70	70 l/min
	140	140 l/min
	200	220 l/min
Weight	70/140/200	32 kg
Max pressure	P, A, B, T	350 bar
	D	10 bar
Pilot pressure	5-20 bar	
Test pressure	420 bar	
Fluid temperature range	-20°C to +70°C	
Ambient temperature range	-20°C to +50°C	

