
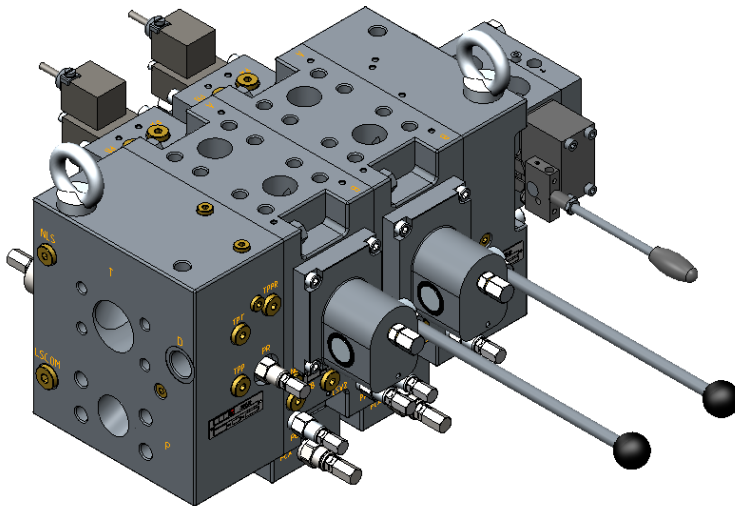


Bulletin – HSV600

P1	05.12.17	Preventive measures	PIT	RSD	JSV
Doc. Rev.	Issued date	Reason for Issue	Made by	Checked by	Approved by
Servi AS Bergmannsveien 241 3615 Kongsberg, Norway Phone: 64 97 97 97 kongsberg@servi.no www.servi.no					
Project Title:	Bulletin – HSV600 – Working section				
Customer:	Customer PO No:	Customer Doc. No:			
Customer response code:					
<input type="checkbox"/>	1 Accepted				
<input type="checkbox"/>	2 Accepted with Comments Incorporated				
<input type="checkbox"/>	3 Not Accepted				
<input type="checkbox"/>	4 Issued for Info				
Date:	Signature:				

Document Title:				
Bulletin - HSV600 – Working section				
Servi Project No:	Order No.:	Doc. No.:	Servi Rev.:	Page:
		1848660	A1	1 of 3

*This document is digitally signed according to Servi AS ERP System.



Figur 1 – HSV600 assembly

Issue:

We may have discovered a case where the rocking lever item 38 (see Figur 2) loosens and unscrews from position. This may cause damage to the cover on lever side, and lead to contaminants in the system.

Preventive measures:

We urge all users to perform a improvement routine on all working sections:

1. Loosen screw item 32 (see figure 2) with 19 mm wrench
2. Check rocking lever item 38 (see figure 2) with 6 mm hex key
3. Fasten rocking lever item 38 (see figure 2) with torque 120 Nm
4. Fasten screw item 32 (see figure 2) and make sure bonded seal item 3 (see figure 2) is in place

For further guidance or questions please contact:

Jostein Svidal

Technical Manager Kongsberg

Direct: +47 64 97 97 90

Mobile: +47 913 87 965

