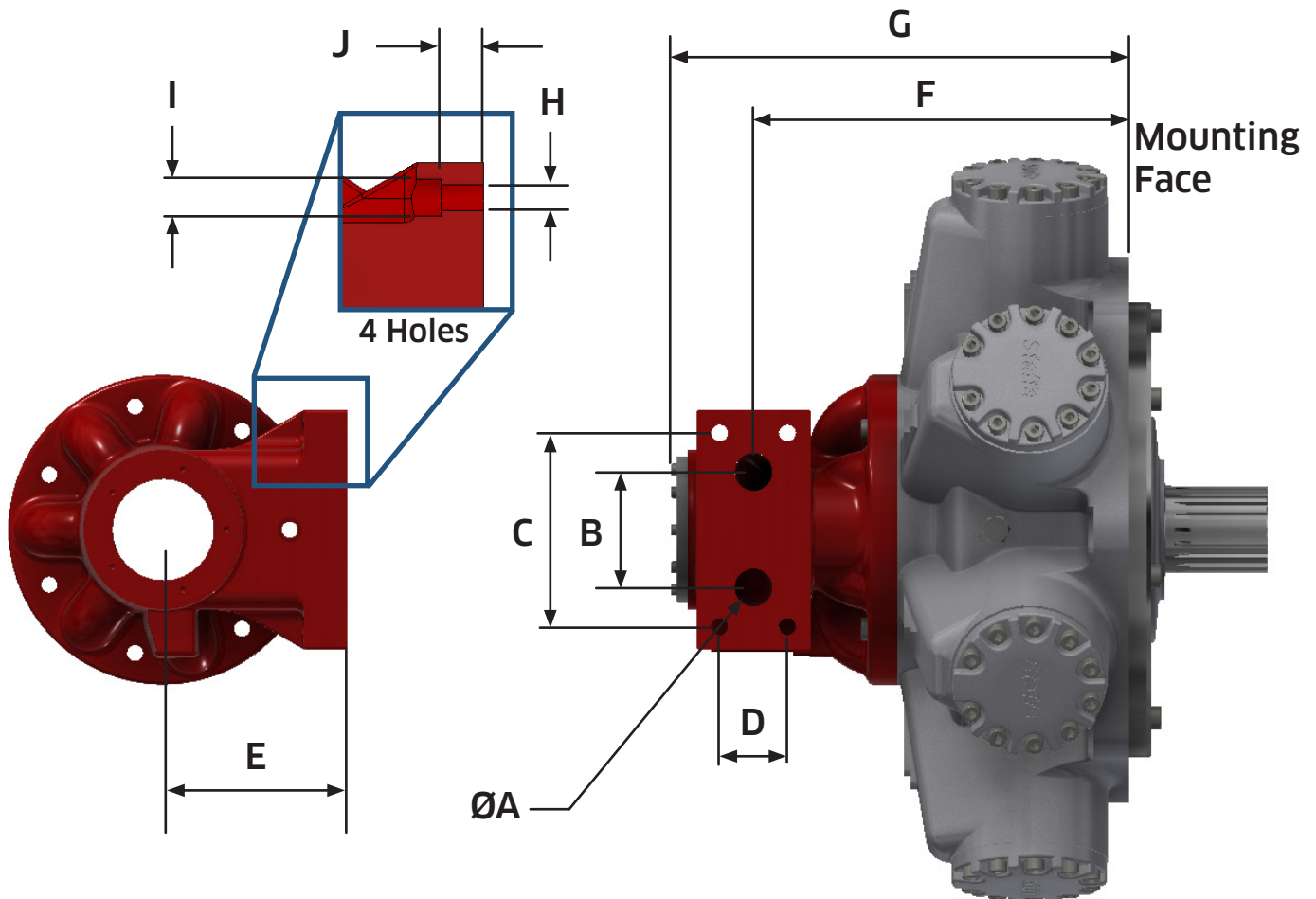


# Staffa

## New SM4 Ports for 7-cylinder motors For bolt-on manifold blocks

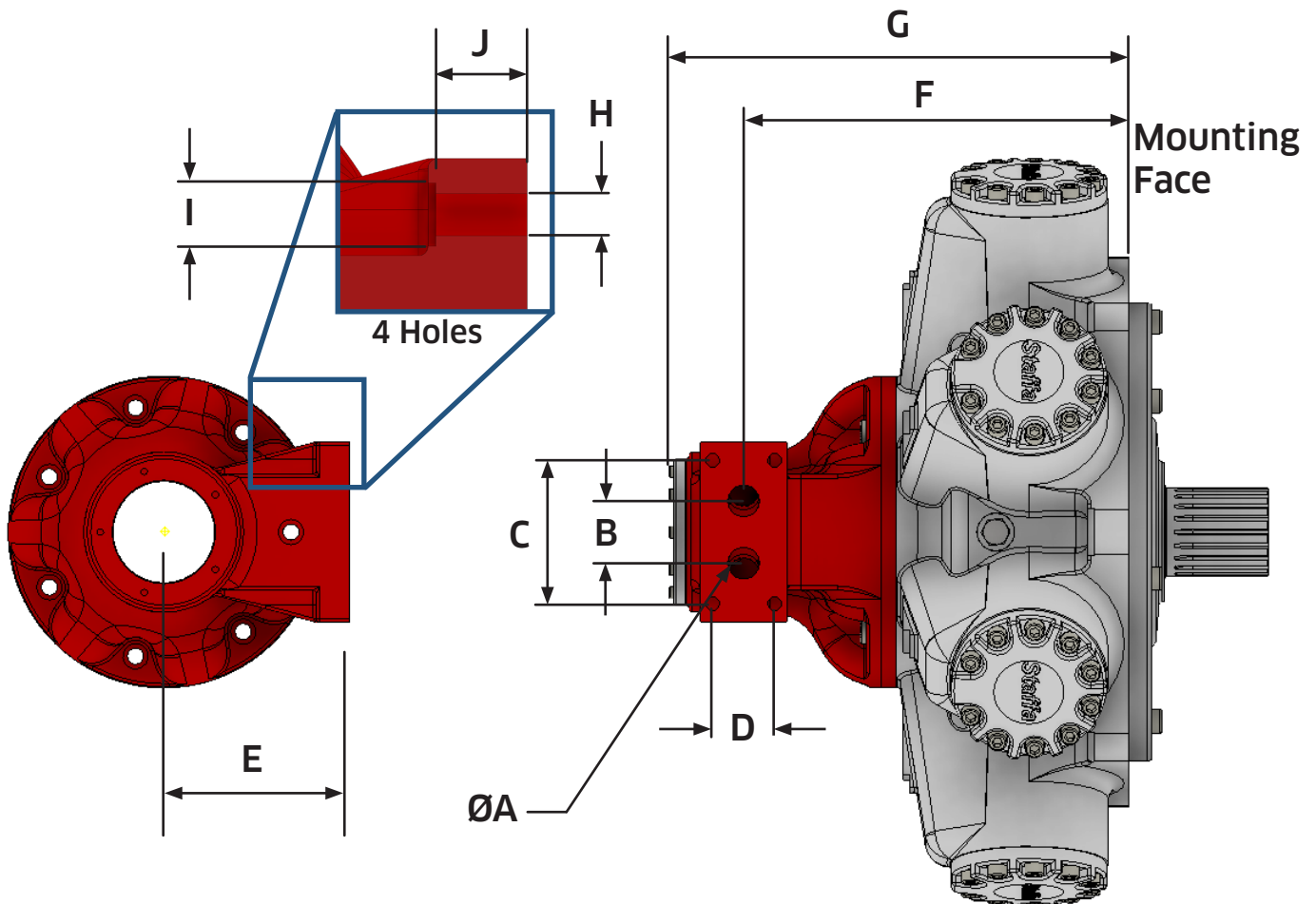


	ØA	B	C	D	E	F	G	H	I	J
HMB270	38	116	194	68	185	377	459	17	25	28
HMB325										
HPB270										
HPB325										
HMC270						427	509			
HMC325										
HPC270						437	519			
HPC325										
HMF270										
HMF325										

For more information please contact Kawasaki.

# Staffa

## New SM3 Ports for 7-cylinder motors For bolt-on manifold blocks



	ØA	B	C	D	E	F	G	H	I	J
HMB270	31.8	62.0	143	62.0	185	385	459	14	21	30
HMB325										
HPB270										
HPB325										
HMC270						436	510			
HMC325										
HPC270										
HPC325										
HMF270						446	520			
HMF325										

For more information please contact Kawasaki.